

# Venetian blinds

## Basswood



## Clean style and light to handle

Bandalux presents its new basswood venetian blinds made with wood from managed forests. These blinds combine warmth with the distinction of wood to fit perfectly into your room. The new design features clean finishes on front and end pieces, in tune with the latest fashions in decoration.

Basswood Venetian blinds are made with 50mm louvres with a thickness of 3mm, and are available in a wide range of colours with matching tapes or ladders. Although basswood is a light material, the new model of Venetian blinds can be motorised (with the ladder option) and raised, lowered and tilted in the most convenient way, providing the durability and reliability which distinguish all Bandalux quality products while helping to protect the environment.

Options  motor  crank  cord-operation



 **Bandalux**  
a step forward in fashionable blinds

Information for Professionals

QUALITY GUARANTEE  
**B**

# General information

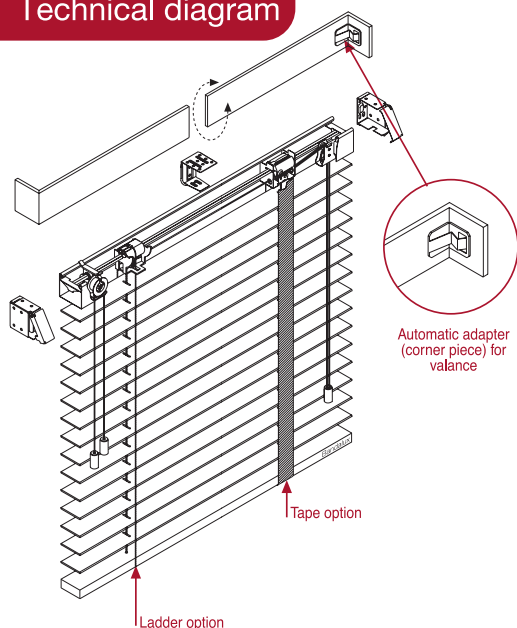
## Features

- From managed forests
- Light wood  
(650Kg/m<sup>3</sup> under normal humidity conditions, 450Kg/m<sup>3</sup> dry)  
(2Kg/m<sup>2</sup>)
- Odourless material
- Grain hardly visible
- Wide colour range

- Environment-friendly
- Easy to install
- No characteristic smells in finished product
- Uniform finish
- All components matching (tapes, ladders)
- Adaptation to the different styles of decoration

## Advantages

## Technical diagram



## Dimensions

	Manual	Motor	Crank
Maximum width	240cm	240cm	240cm
Minimum width	50cm	60cm	50cm
Maximum height	250cm	350cm	350cm
Minimum height	50cm	50cm	50cm
Maximum surface area	4m <sup>2</sup>	8m <sup>2</sup>	8m <sup>2</sup>
Minimum surface area	0,25m <sup>2</sup>	0,30m <sup>2</sup>	0,30m <sup>2</sup>
Manufacturing tolerances	Width	±0,5 %	±0,5 %
	Height	±0,5 %	±0,5 %

## Control height

Blind height H	Control height hm
Between 50 and 100cm	Blind height
Between 101 and 150cm	100cm
Between 151 and 250cm	150cm

## Number of brackets

Blind height	Ends	Centre
Between 50 and 80cm	2	0
Between 81 and 120cm	2	0
Between 121 and 180cm	2	1
Between 181 and 240cm	2	2

## N° of tapes or ladders

Blind height	N° tapes ladders	Cords
Up to 115cm	2	2
From 115,1 to 140cm	3	2
From 140,1 to 190cm	3	3
From 190,1 to 240cm	5	3

## Raised height

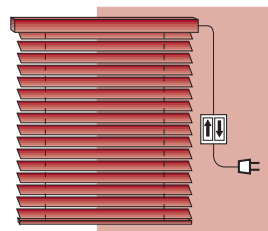
Blind height H	Raised height hr
85cm	14cm
120cm	18cm
140cm	20cm
160cm	22cm
180cm	23cm
200cm	25cm
220cm	28cm
240cm	30cm
250cm	31cm
260cm	32cm
280cm	34cm
300cm	36cm
320cm	38cm
340cm	40cm
350cm	42cm

## Options



**Motor**

(with ladder option only)



**Crank**

(with ladder option only)



Available in:  
Aluminium anodized  
Bronze anodized  
RAL 9010 white  
RAL 1015 marble  
RAL 9011 black

	Nm	Nm	r.p.m.	Power (w)	Voltage	Radio
Burlic	9	14	14	100 w	230V-50 Hz	
Hommer	9	14	14	105 w	230V-50 Hz	●

**Bandalux recommends motorisation for blind surface areas of 2,5m<sup>2</sup> and over**