

# Toxa system

## Roman shades



## The Pioneer

In 1999 Bandalux created the innovative Toxa system (utility model V9802320/9) for all types of shades and blinds (Roman shades and pacchetto, etc.), pioneering development of a chain-operated mechanism with stylish exterior design and allowing installation of an internal motor.

This mechanism conceals all the lifting components within the compact top unit, creating an outside appearance in tune with the latest trends in decoration.

The Toxa system makes the blind very easy to use as it gathers up the fabric evenly. It also enhances the blind's durability as less effort is used to operate it.

The Bandalux Toxa system enables you to combine the motor option with a wide range of automatic devices and systems, to make operating the blind a simple reflex action.

Options  chain  motor



 **Bandalux**  
a step forward in fashionable blinds

Information for Professionals  
QUALITY GUARANTEE  
**B**

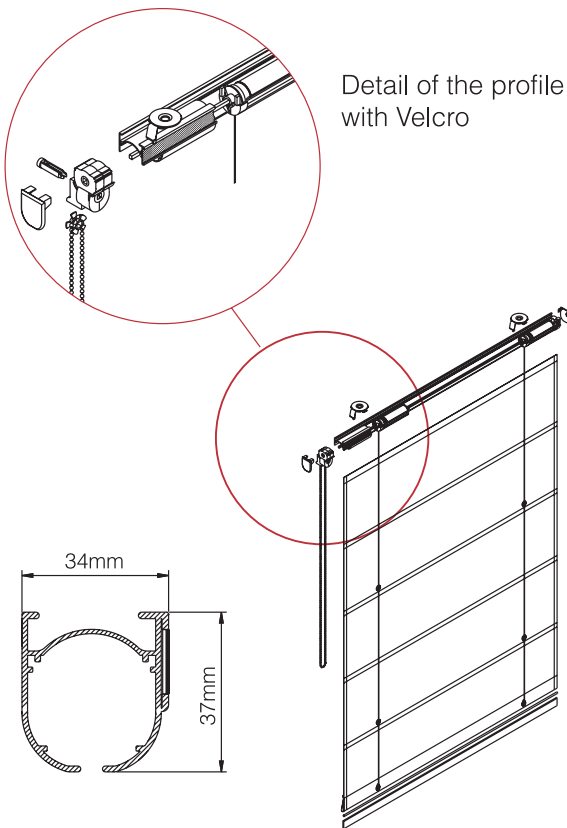
# General information

## Features

- Original system → With the guarantee of a system developed and patented by Bandalux.
- Chain or motor operated → Convenience of operation whatever system is chosen.
- Functional profile → Closed profile enabling the whole mechanism to be concealed.
- Fabric fixing → Easy to hang and take down in order to clean the fabric.
- Hidden blind brackets → Lifting components and features concealed in the top unit.
- Two types of assembly possible → Making it possible to have width and height of up to 2,5 metres.
- The Toxa system can be made up as a Pacchetto blind without rods or as a flat Roman blind with stabilising rods.

## Advantages

## Technical diagram



## Control height

	Blind height H	Control height hm
Up to	220cm	Blind height -10cm
Between	221cm	Blind height -100cm

## Split-up of the pull-cords

Width W	Cords
Up to 124cm	2
Between 125 and 200cm	3
Between 201 and 250cm	4
Between 251 and 300cm	5
From 300cm	6

## Raised height

Raised height (hr)	Toxa
	30cm

## Number of brackets

Width W	Brackets
Up to 124cm	2
Between 125 and 199cm	3
Between 200 and 300cm	4

## Options

	Chain	Motor
Maximum width	250cm	250cm
Minimum width	40cm	65cm
Maximum height	250cm	250cm
Minimum height	50cm	50cm
Maximum surface area (*)	5m <sup>2</sup>	4m <sup>2</sup>
Minimum surface area	0,2m <sup>2</sup>	0,2m <sup>2</sup>
Colours for profile with Velcro	White Aluminium	White Aluminium

(\*)Maximum surface area for Polyscreen and Black-Out 4m<sup>2</sup> (chain), 3.5m<sup>2</sup> (motorised).

## Types of assembly



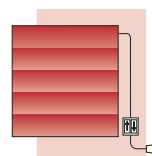
Pacchetto blind (without rods)



Roman blind (with stabilising rods)

Bandalux has a wide range of fabrics for this system, please consult our general catalogue. To find out prices, options and types of assembly, please refer to our general price list.

## Motorisation



The Toxa system can be motorised, allowing multiple combinations and automatisms.