

# Armonía System

## Aluminium Venetian blind 15 and 25mm



## Everything in Harmony

The Armonía System is the most elegant and balanced way to present Venetian blinds. It has managed to integrate the entire system, thanks to the embellishments that conceal all the inclination and raising elements. This new version has been updated and improved with a more precise and practical orientation and closing device.

There are a hundred different aluminium finishes so you can choose the one that blends in best with the decoration of your home or with the furniture and fittings in your office.

Available in 15 and 25mm slats.

Bandalux quality: functionality, durability and looks in perfect harmony.

Options  motorised  crank-operated  cord-operation



ALSO IN WOOD EFFECT

 **Bandalux**  
More than fashion in blinds

Information for professionals

QUALITY GUARANTEED  
**B**

# General information

## Characteristics

Coordinated components in the same colours as the slats →

More precise orientation of slats →

New orienting mechanism with cardan system →

Interior braking system in the tilting device →

New lower diameter reel →

New reel assembly →

## Benefits

Better aesthetic finish.

More functional.

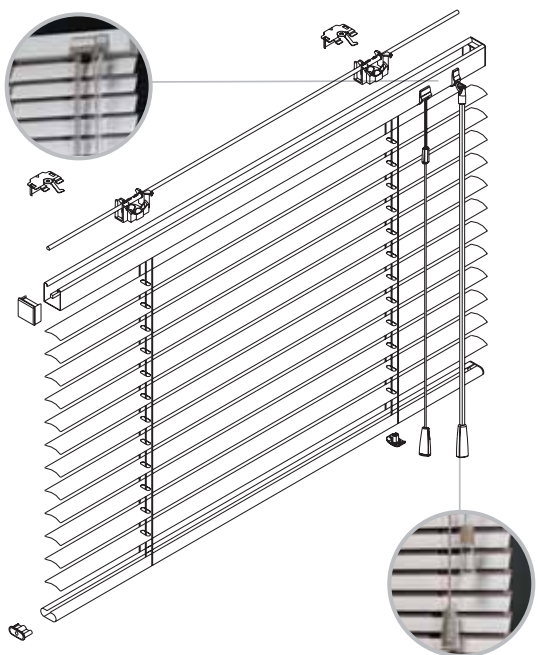
Lets louvres be turned with the rod from any position.

Preserves the shade from possible breakage in the event of excessive turning.

Better closing of the slats.

Better adjustment of the first slat.

## Technical drawing



## Dimensions

	15mm	25mm
Maximum width	250cm	300cm
Minimum width	35cm	35cm
Maximum height	250cm	300cm
Minimum height	25cm	25cm
Maximum area	5m <sup>2</sup>	6m <sup>2</sup>
Minimum area	0,1m <sup>2</sup>	0,1m <sup>2</sup>
Manufacturing tolerances	Width	±0,2%
	Height	±0,5%

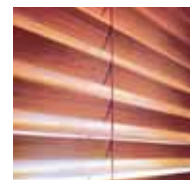
## Special colours

### 25mm

Standard and metallic  
Pearl  
Pastel  
Wood effect  
Perforated

### 15mm

Standard and metallic  
Pearl



Wood effect  
25mm

## Roll-out height

### 15/25mm



Shade height  
**H**

Roll-out height  
**hr**

30cm	5,2cm
60cm	5,9cm
80cm	6,4cm
120cm	7,9cm
160cm	8,3cm
200cm	9,3cm
240cm	10,3cm
280cm	11,2cm
300cm	11,7cm

## Options

Bandalux offers a number of options, some of which we highlight below:

- **End fixing:** this option avoids movement at the bottom of the blind with a fitting that affixes the blind.
- **Side guide:** the guidance is with metalwire to keep the blind in a vertical position.
- **Roof guide:** this option allows installation of the blind to be on inclined windows.
- **Double glazing:** this option permits the blind to be installed in a chamber between 2 pieces of glass. Can be operated 3 ways: button, crank and motorised.
- **Colour combinations:** this option allows a combination of the colours available from our extense colour range of the slats.
- **Cut outs:** this option permits the clearing of obstacles at the sides of the blinds.
- **Double blind:** this option has 2 blinds with one headrail and separate operating controls.
- **Crank:** this option allows to gather, open and orientate the blind by crank operation.
- **Motorization:** option with a motor inside the headrail, that permits the control of height and tilt with comfort.

Single-control system  
chain - crank - motorised

The single-control system lets a single device be used to orient and roll up the shade.

Available in 15 and 25mm.

