

Aluminium Venetian blind



Bandalux offers two different finish systems in Aluminium Venetian blinds: the Armonia system (for 15 and 25mm slats) and the Classic system (for 50mm slats). Both systems feature an exclusive, personal design and are made with select, high-quality materials.

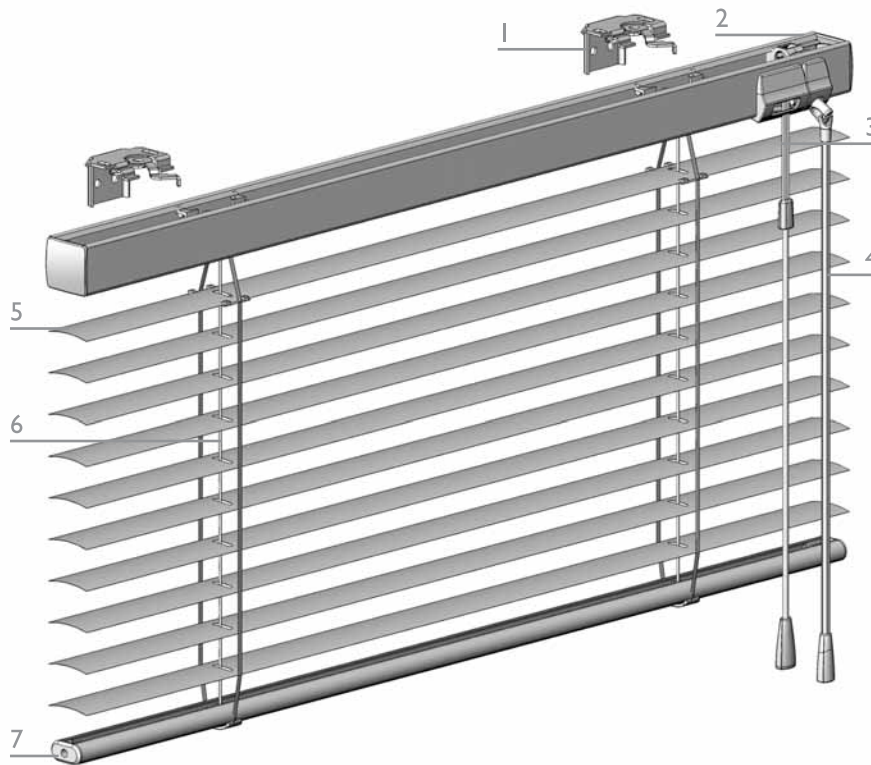
To achieve the elegance and reliability of a true classic like the Aluminium Venetian, Bandalux has selected a perfect combination of colours in all the blinds visible elements.

Descriptive specifications:

Venetian blind in horizontal slats in Bandalux aluminium in colour and finish ... (according to *Bandalux Catalogue*), adjustable and in widths of 15, 25 or 50mm.

Manual operation by means of cord, chain, crank or motor.

Aluminium Venetian blind 15mm - 25mm



- 1 - Wall/ceiling support installation
- 2 - Headrail
- 3 - Lifting cords
- 4 - Tilt wand
- 5 - 15mm or 25mm slats (according to Bandalux Catalogue)
- 6 - Ladder
- 7 - Bottomrail

The aluminium Venetian blind from Bandalux, in 15 and 25mm slats, is a system that can be operated by:

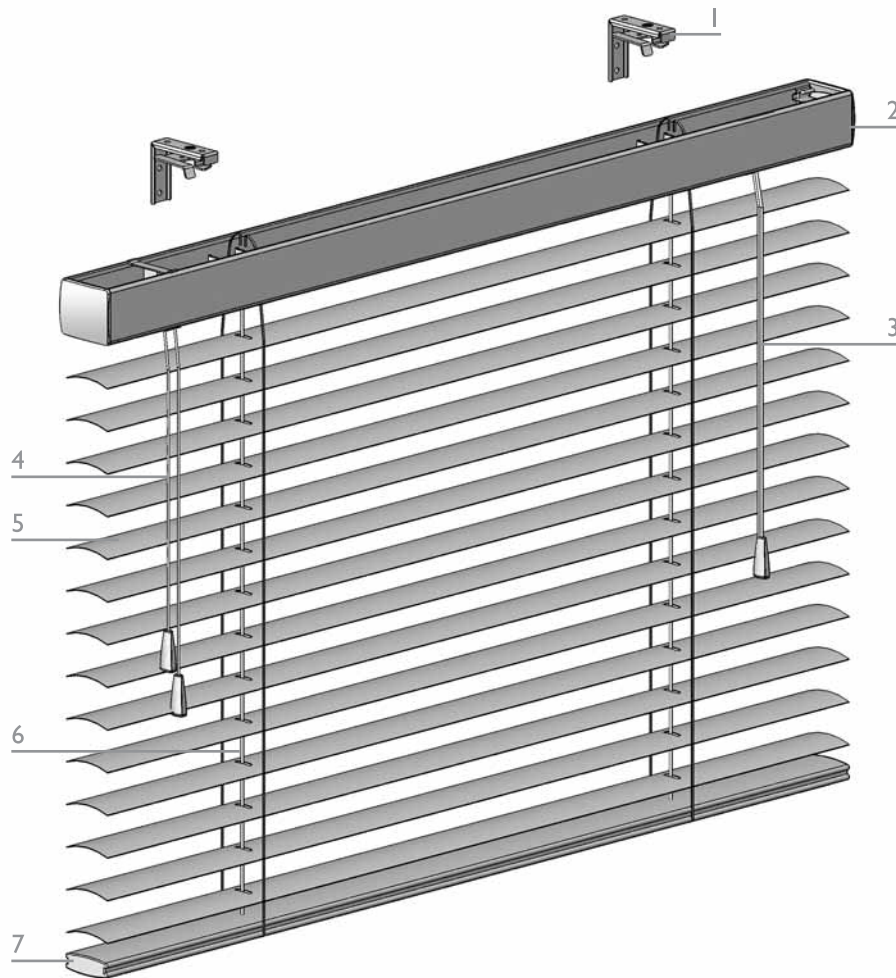
- ▶ **Cord and wand:** the slats are lifted and lowered with the cord, while the transparent polystyrene wand allows the slats to be angled.
- ▶ **Chain:** single control system in which the slats are adjusted and angled as well as lifted and lowered by means of a chain.
- ▶ **Jointed crank** (fixed or detachable): this option allows the blind to be lifted, let out and angled by crank operation.
- ▶ **Motor** DC 24V electric: the motor is housed inside the head rail and allows easy lifting, lowering and angling of the blind, whether switch-operated or operated by remote control.

The Bandalux Armonía Venetian blind consists of a 25 x 25mm formed steel head profile and a 19 x 11mm bottom profile of the same characteristics, fire-lacquered with a double coat of primer in the same colour as the slats.

The head profile hides all the manoeuvring and retention mechanisms and the slat support ladders. Bandalux uses a system consisting of small cylindrical reels that allow the slats to bunch together tightly and leave the first slat very close to the head rail.

This system includes brackets for wall or ceiling installation. It is also possible to install extender brackets for wall installations, which separate the blind from the wall at the correct distance for perfect operation.

Aluminium Venetian blind 50mm



- 1 - Wall/ceiling support installation
- 2 - Headrail
- 3 - Lifting cords
- 4 - Tilt control cord
- 5 - Aluminium 50mm slats
- 6 - Ladder
- 7 - Bottomrail

The aluminium Venetian blind from Bandalux with 50 mm slats is a system that can be operated by:

- ▶ **Cord:** the slats are lifted and lowered with the cord, and wand allows the slats to be angled.
- ▶ **Jointed crank** (fixed or detachable): this option allows the blind to be lifted, let out and angled by crank operation.
- ▶ **Motor AC 220/230V electric:** the motor is housed inside the head rail and allows easy lifting, lowering and angling of the blind, whether switch-operated or operated by remote control.

It consists of a 57 x 50mm formed steel head profile and a 52 x 17 mm bottom profile of the same characteristics, fire-lacquered with a double coat of primer in the same colour as the slats.

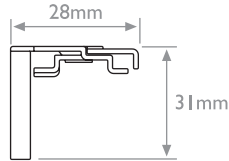
The head profile houses all the manoeuvring mechanisms.

This system features brackets for wall or ceiling installation that separate (for wall installations) the blind from the wall at the minimum sufficient distance for perfect operation.

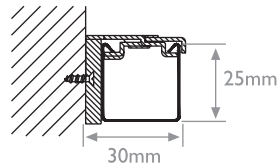
Aluminium Venetian blind 15mm - 25mm

Dimensions of brackets - Dimensions of finished blind - Types of commands

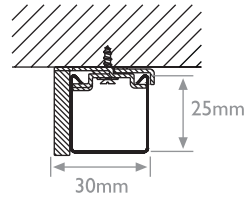
INSTALLATION BRACKET



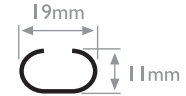
WALL INSTALLATION



CEILING INSTALLATION

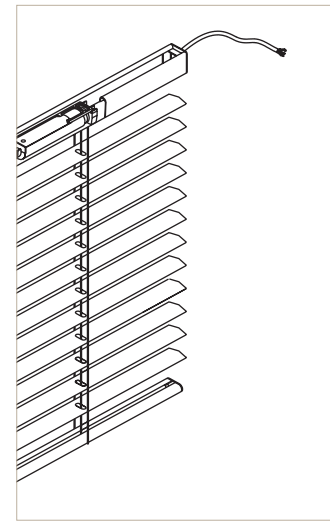
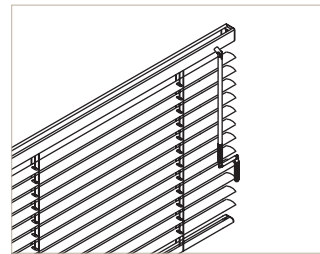
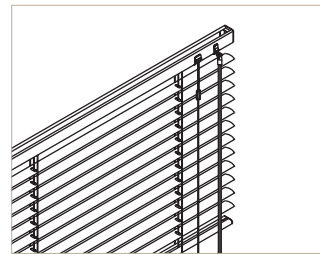
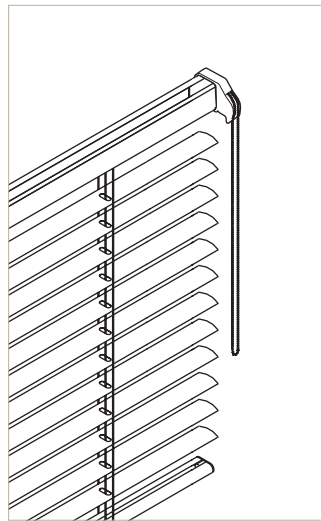


BOTTOMRAIL



Slats	15mm	25mm	15mm	25mm	15mm	25mm
Maximum width	250cm	250cm	250cm	300cm	250cm	250cm
Maximum drop	250cm	300cm	250cm	300cm	250cm	300cm
Maximum area	5m ²	6m ²	5m ²	6m ²	4m ²	4m ²

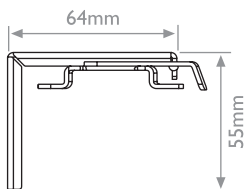
Operating	MONOCOMMAND CHAIN	CORD OR CRANK	MOTORIZED
-----------	--------------------------	----------------------	------------------



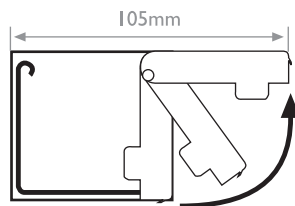
Aluminium Venetian blind 50mm

Dimensions of brackets - Dimensions of finished blind - Types of commands

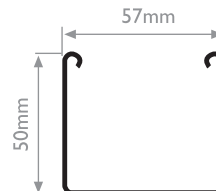
CENTRAL INSTALLATION BRACKET



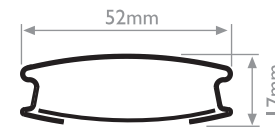
OPEN BRACKET



RAIL



BOTTOMRAIL



Slats

50mm

50mm

50mm

Maximum width

300cm

300cm

300cm

Maximum drop

350cm

350cm

350cm

Maximum area

8m²

8m²

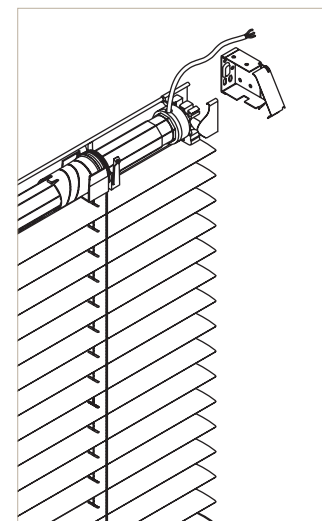
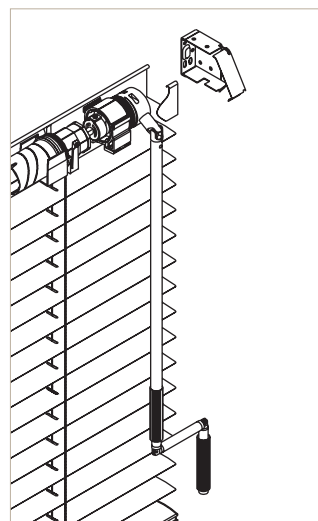
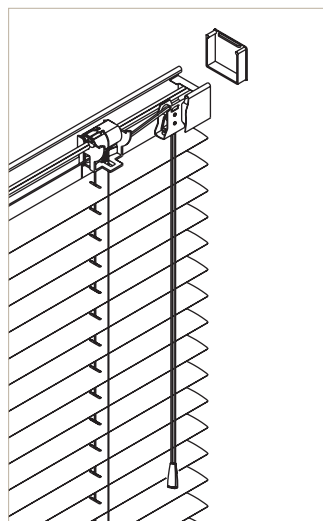
8m²

Operating

CORD

CRANK

MOTORIZED



Aluminium Venetian blind

